



Congratulations on your Guide Gear purchase. Take your game to the next level with field-tested Guide Gear products for a confident, competitive edge that strikes the perfect balance between performance and value.

13' Tripod Stand

(The Sportsman's Guide item # 177429)

Maximum Height - 13' to shooting rail (Never extend this stand beyond this maximum use height)

Single User Maximum Field Rating - 300 lb (This is the maximum combined total weight of the user, their clothing, and gear while on the ladder) No more than one person should occupy any part of this stand at any time.

⚠ Keep this manual in a secure location and review it at least annually.

Before beginning assembly, check your purchase for damaged or missing parts. Do not use if you identify damaged or missing any parts. For help with damaged or missing parts, call toll free at 877-284-9005 (reference **Model # 02-MKTR1-013GG**)

For assistance with your Guide Gear product, please contact the Sportsman's Guide customer service at 1-800-888-5222 7:30am - 6:00pm CST Mon-Fri or go to <http://www.sportsmansguide.com/customerservice/contactus>



**SPORTSMAN'S
GUIDE**
#ShareTheThrill

⚠ WARNING

YOU MUST COMPLETELY READ, UNDERSTAND, AND FOLLOW THE WARNINGS AND INSTRUCTIONS CONTAINED IN THIS MANUAL. FAILURE TO DO SO MAY RESULT IN SERIOUS INJURY OR DEATH!

www.SportsmansGuide.com



PRODUCT MEETS
INDUSTRY STANDARDS
RECOGNIZED BY



P/N: 02-MKTR1-013GG

REV 2: 01/23/18

© 2018 DOP

All Rights Reserved.

⚠ WARNING

- ▲ **Do Not** use this product until you have watched the included treestand safety DVD, understand it, and practiced the techniques for safe hunting discussed in this DVD.
- ▲ Read and perform all inspection and maintenance tasks before each and every use. Replace any questionable components immediately with DOP original replacement parts.
- ▲ **Do Not** crush tubing when tightening bolt assemblies! Identify and familiarize yourself with all parts before you start. Bolt identification chart can be found in the back.
- ▲ Double check assembly steps to be certain you have correctly assembled this product.
- ▲ **Never** use any product that has not been maintained or inspected properly - Your life depends on it!
- ▲ **Always** wear the appropriate footwear when using a free standing platform stand. A good non-slip safety boot is important to your personal safety. Be especially careful that boot laces do not get hooked on the stand or any of its components (tuck shoelaces into boots before climbing).
- ▲ Do not position this product on a slope, unlevel, or wet ground. It may tip over and serious injury or death may occur.
- ▲ Ground should be such that ground stakes can be driven into the ground through holes provided in foot pads. This will help prevent pod from tipping over in strong winds.

INSPECTION AND MAINTENANCE SCHEDULE

BEFORE EACH USE PERFORM THE FOLLOWING:

- Inspect all webbing, rope, cord, and strap assemblies for wear or damage.
- Inspect cables and/or cable ends for damage or kinking.
- Inspect all hardware and chain components for damage.
- Inspect for any structural damage to product. (If any exists call DOP customer service.)
- Inspect all nut and bolt assemblies to be certain none are loose.
- Inspect for any missing parts.
- Lubricate all pivot and slide together points with powder graphite, petroleum jelly or silicone spray to prevent noise, wear and rust.
- Inspect entire product for any rust, corrosion, cracks, freezing, excessive heat or rotting damage that may effect the safety of your product. Discard any questionable product.
- Inspect entire product for any structural damage - pay close attention to all weld locations. (Return to factory for repair or discard product if any damage is found.)
- Using correct wrenches inspect all nut & bolt assembly locations and snug up any that may be loose. Be careful not to crush tubing when tightening!
- Inspect and check operation of all cables, cable ends, cord, rope, webbing, and strap or chain assemblies. Replace with factory new any item or assembly that shows signs of wear, damage, kinking, or functions incorrectly.
- Inspect seat. Replace any seat with factory new that shows signs of structural damage or wear.
- Inspect all hardware for wear or damage, also be sure you have no missing parts.
- Never modify your stand in any way by making repairs, replacing parts, or altering adding or attaching anything to it except if explicitly authorized in writing by the manufacturer.

ASSEMBLY INSTRUCTIONS

Tools needed: two 13mm wrenches.

IMPORTANT ASSEMBLY TIP:

Do not tighten any nut and bolt combinations completely until all parts are assembled together! Finger tighten plus one turn of a wrench only! This will temporarily hold the lock nut on the bolt while helping alignment of all parts! After all parts are assembled together, all nut & bolt combinations must be completely tightened.

All assembly must be done in this order at ground level before uprighting.

Do not remove labels/warnings from product, they are there for your safety.

Recommended for adult use only.

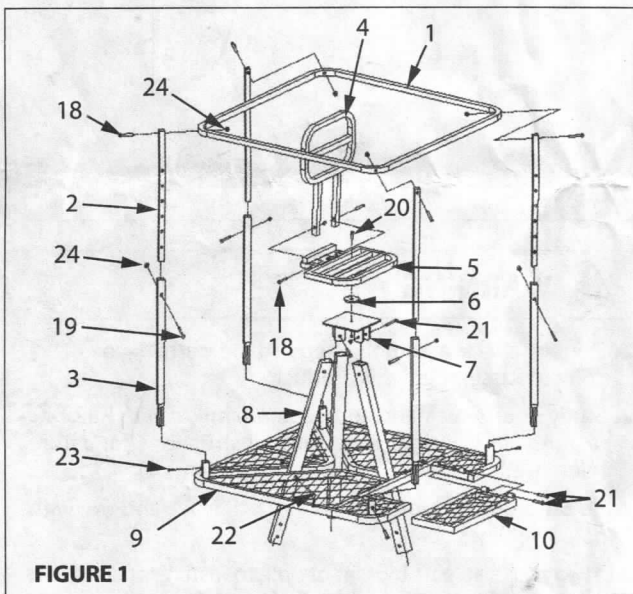


FIGURE 1

Assemble Platform Section SEE FIGURE 1

1. Assemble the Foot Platform (9) and Top Leg Sections (8) using M8x105mm Bolts (22) and M8 Lock Nuts (24).

NOTE: Refer to the "Illustrated Parts Breakdown" section and associated referenced Figures with corresponding item numbers to identify parts and hardware.

2. Assemble Seat Platform (7) to Top Leg Sections (8) using M8x60mm Bolts (21) and M8 Lock Nuts (24).
3. Assemble Foot Platform Gate (10) to Foot Platform (9) using M8x60mm Bolts (21) and M8 Lock Nuts (24).

4. Place Polymer Washer (6) on top of Seat Platform (7) and align Seat (5) and washer with hole in seat platform. Secure using M8x25mm Bolt (20) and M8 Lock Nut (24).
5. Assemble Backrest (4) to Seat (5) and attach using two M8x50mm Bolts (18) and M8 Lock Nuts (24).
6. Assemble Shooting Rail Support Bar A (2) and Shooting Rail Support Bar B (3) together using M8x35mm Bolts (19) and M8 Lock Nuts (24). Repeat this step for the other shooting rail support assemblies.
7. Install the four assembled shooting rail supports into the Foot Platform (9) by inserting the swaged end into the receptacle in each corner of the foot platform. Secure by inserting a M8x20mm Bolt (23) and threading it into the foot platform receptacles. Repeat for each corner.
8. Assemble Shooting Rail (1) to shooting rail support assemblies using M8x50mm Bolts (18) and M8 Nuts (24).

NOTE: The height of the shooting rail can be raised or lowered to fit the user. Shooting Rail Support Bar A (2) has multiple holes to adjust the height of the shooting rail. Remove the M8x35mm Bolts (19) and M8 Lock Nuts (24) and reposition the shooting rail support bar at the required height. Reinstall and tighten bolts and nuts. Make sure the rail is at the same height at all corners.

9. You must now tighten all hardware. Do not overtighten or crush tubing.

Install Seat and Backrest Cushion

1. Install the Seat Cushion (28) by wrapping around Seat Frame (5) and securing the velcro together.
2. Install the Back Cushion (29) by wrapping around Back Rest (4) and securing the velcro together.

Assemble Tripod Leg Section SEE FIGURE 2

1. Assemble Middle Ladder Section (11) to Bottom Ladder Section (13) by inserting swaged end of the bottom ladder section into the receptacle of the middle ladder section. Secure using two M8x50mm Bolts (18) and M8 Lock Nuts (24).
2. Assemble Middle leg Section (12) to Bottom Leg Section (14) by inserting swaged end of the bottom ladder section into the receptacle of the middle ladder section. Secure using two M8x50mm Bolts (18) and M8 Lock Nuts (24).
 - a. Repeat Step 2 for other middle leg section.
3. Assemble Adjustable Foot (15) to bottom of middle leg and ladder sections. Secure using two M8x50mm Bolts (18) and M8 Lock Nuts (24).

NOTE: The height of the Adjustable Foot (15) can be raised or lowered to level the stand. The adjustable foot has multiple holes to adjust the height of the foot to level your tripod stand. Remove the M8x50mm Bolts (18) and M8 Lock Nuts (24) and reposition the adjustable foot at the required height. Reinstall bolts and nuts. Make sure the tripod stand seat and platform are level.

Make sure foot pads are orientated out, away from platform.

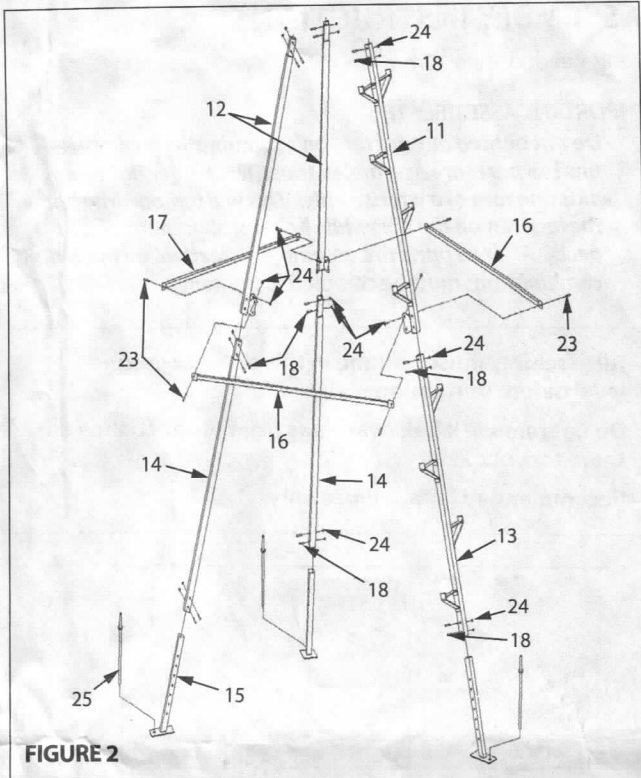


FIGURE 2

Assemble Leg Sections to Platform Section

1. With the platform assembly laying on its back, assemble the two rear leg assemblies to the rear two Top Leg Sections (8) by inserting the swaged end of the middle leg section (12) into the receptacle of the Top Leg Section (8). Secure using two M8x50mm Bolts (18) and M8 Lock Nuts (24).
2. Install (short) Leg Brace (17) to the assembled rear leg sections and secure using M8x20mm Bolts (23) and M8 Lock Nuts (24).
3. Assemble the ladder leg assembly to the forward Top Leg Sections (8) by inserting the swaged end of the middle ladder section (11) into the receptacle of the forward Top Leg Section (8). Secure using two M8x50mm Bolts (18) and M8 Lock Nuts (24).
4. Install (long) Ladder/Leg Braces (16) between the assembled leg sections and the assembled ladder sections and secure using M8x20mm Bolts (23) and M8 Lock Nuts (24).
5. Once all cross braces are attached to pod, **you must now tighten all nut & bolt assemblies.** Be sure not to over tighten or crush tubing when tightening! Double and triple check all nuts and bolts to make sure all are securely fastened.
6. Go over every detailed step of assembly to be sure all assembly is done correctly and all bolt locations are secured and snug. Be sure not to over tighten or crush tubing when tightening! Once you are certain all assembly is complete and correct, proceed to Uprighting and Use Instructions.

⚠ WARNING

- ▲ Double check assembly steps to be certain you have correctly assembled this product.
- ▲ Study your new stand to become familiar with all of its features and design. Save these instructions for future reference.
- ▲ **Be Sure** uprighting area is open, flat, level, and dry with no power lines near!
- ▲ **Always** use at least four (4) people to install or take down a free standing platform.
- ▲ **Do Not** use any type of motorized vehicle to upright this free standing platform stand. You could cause unnecessary damage to this product. Upright by hand only using four people, two people at feet end of free standing platform stand and two people at platform end. Be aware it is top heavy. Use great care and caution during this process to prevent an off balance fall to prevent injury.
- ▲ As free standing platform stand goes over-center, be sure to slowly allow the stand to land on the opposite leg sections. **Be Sure** all people are clear to prevent injury.
- ▲ **Never** stand on seat, it is designed for sitting only.
- ▲ If seat is removable, be certain it is securely attached when in use.

! WARNING

- ▲ **Always** lean forward as you climb ladder or climbing aid.
- ▲ **Always** maintain three (3) points of contact when climbing a ladder treestand or free standing platform stand. Proper three-point contact means having either two feet with one hand or one foot with two hands on the step portion of the ladder or climbing aid at all times.
- ▲ **Always** wear the appropriate footwear when using a free standing platform stand. A good non-slip safety boot is important to your personal safety. Be especially careful that boot laces do not get hooked on the stand or any of its components (tuck shoelaces into boots before climbing).
- ▲ Some models include a shooting rail. **Never** lean against, lean over, or sit on shooting rail. It is designed as a shooting rest only. On models that have a non-fixed shooting rail, be sure shooting rail is flipped back or swung to the side when ascending or descending ladder.
- ▲ Some models include a footrest, which is designed as a footrest only. **Never** stand on footrest! **Always** be fully aware of foot placement.

! WARNING

- ▲ **Only** use approved DOP parts. Failure to do so may result in serious injury or death!

UPRIGHTING AND USE INSTRUCTIONS

1. With assembled product lying on ground flat between one leg and ladder section, position one person at feet end of legs. This person has to prevent the bottom end from tilting up when platform end is lifted and prevent feet from skidding across the ground.
2. Position two people at platform end, lift platform end of pod and continue up righting by walking toward feet end and moving hands along ladder and leg sections. As pod goes over-center, slowly allow the pod to land on the opposite leg section. Be sure all people are clear to prevent injury.
3. Pod may need to be positioned to allow for a level stand and all ladder/legs touching ground. Avoid rocks or anything that may hinder this from happening. Only move pod with three people; one person on each leg section and one person on ladder section. Each person should lift equally and only enough to shift pod to a level ground location. **DO NOT lift pod by round cross braces as you could bend or damage them.**
4. Drive four Leg Stakes (25) through the holes in the four Adjustable Feet (15). Stakes should be driven 18" in ground and should be driven in at an angle. **SEE FIGURE 3.**
5. Climb ladder slowly and carefully always having three points of contact on ladder at all times. Lean forward, towards ladder as you climb. Be sure hands are free for climbing.
6. Upon reaching foot platform, the Foot Platform Gate (10) should be flipped back out of the way, carefully turn around and sit on seat.
7. Make sure to flip the Foot Platform Gate (10) to the closed position once in the stand.

NOTE: *To exit your ladder pod, reverse the climbing procedure. Take great care to be sure of hand and foot placement as you proceed back down pod ladder.*

8. Reverse up righting and use instructions to take ladder pod down.

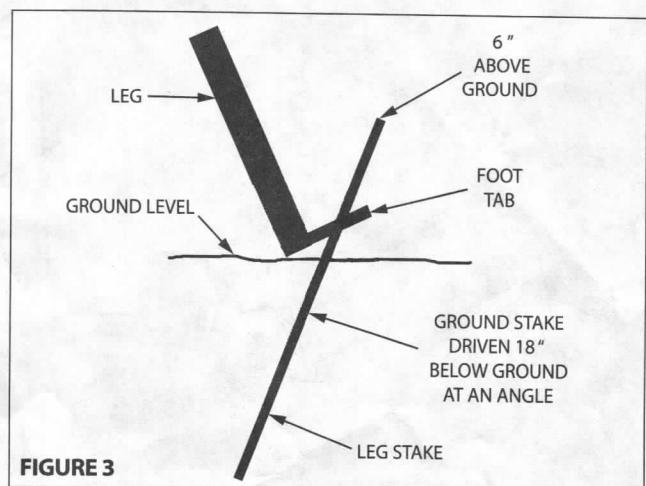
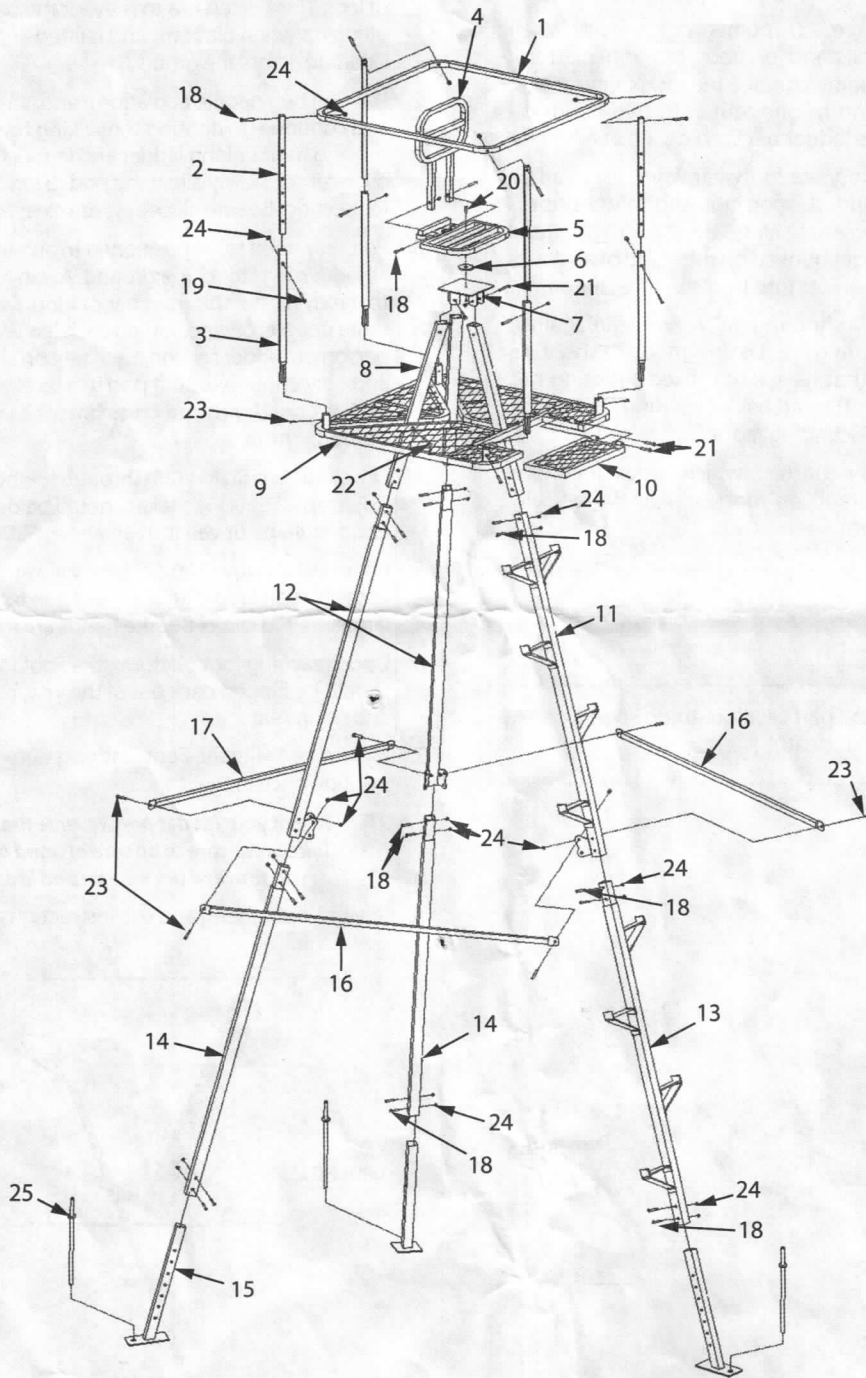


FIGURE 3

ILLUSTRATED PARTS LIST





ILLUSTRATED PARTS LIST

ITEM #	PART #	DESCRIPTION	QTY.
1	MK041-1001	SHOOTING RAIL	1
2	MK041-1002	SHOOTING RAIL SUPPORT BAR A	4
3	MK041-1003	SHOOTING RAIL SUPPORT BAR B	4
4	MK041-1110	BACKREST	1
5	MK041-1120	SEAT	1
6	MK041-1007	POLYMER WASHER	1
7	MK041-1130	SEAT PLATFORM	1
8	MK041-1004	TOP LEG SECTION	3
9	MK041-1200	FOOT PLATFORM	1
10	MK041-1300	FOOT PLATFORM GATE	1
11	MK041-1440	MIDDLE LADDER SECTION	1
12	MK041-1430	MIDDLE LEG SECTION	2
13	MK041-1420	BOTTOM LADDER SECTION	1
14	MK041-1410	BOTTOM LEG SECTION	2
15	MK041-1450	ADJUSTABLE FOOT	3
16	MK041-1005	LADDER / LEG BRACE (LONG)	2
17	MK041-1006	LEG BRACE (SHORT)	1
18	10080502B	M8 x 50mm HEX HEAD BOLT	24
19	10080352B	M8 x 35mm HEX HEAD BOLT	4
20	10080252B	M8 x 25mm HEX HEAD BOLT	1
21	10080602B	M8 x 60mm HEX HEAD BOLT	5
22	10081052B	M8 x 105mm HEX HEAD BOLT	3
23	10080202B	M8 x 20mm HEX HEAD BOLT	10
24	41080002B	M8 LOCK NUT	43
25	HE041-1330	LEG STAKE	3
26	99-SAFE09-DVD	SAFE TREESTAND HUNTING DVD	1
27*	21535 REV1	INSTRUCTION MANUAL	1
28*	MK041-1501	SEAT CUSHION	1
29*	MK041-1502	BACKREST CUSHION	1
* ITEM NOT ILLUSTRATED			

Maximum Height - 13' to shooting rail (Never extend this stand beyond this maximum use height)

Single User Maximum Field Rating - 300 lb (This is the maximum combined total weight of the user, their clothing, and gear while on the ladder, platform and/or seat) No more than one person should occupy any part of this stand at any time.

LIMITED WARRANTY POLICY

Limited Warranty Periods

- **Hunting Products:** 1 Year (12 months) from date of purchase.
- **Sub-component Items:** Many sub-component items are warranted separately by the respective manufacturers and are covered by warranty of their manufacturer. The sub-components original manufacturer's product warranty supersedes and takes precedence over this limited warranty policy.

NOTE: ALL WARRANTY CLAIMS MUST BE PREAPPROVED BY THE MANUFACTURER (THE COMPANY) TO BE VALID.

Products are warranted to be free of defects in materials and/or workmanship for the warranty period. Under this limited warranty, the Company shall be limited to repairing or replacing, at its option, for the warranty period, those parts returned to the factory, freight prepaid, which in the opinion of the Company shall prove to be defective in materials or workmanship, under normal use and service. This warranty will not apply unless the product is installed, used and maintained in accordance with the Manufacturer's installation, operation and maintenance instructions.

This warranty applies to the ORIGINAL purchaser only, and is non-transferable. The Company warrants the products to be free of defects in material and workmanship but, does not cover normal maintenance or adjustments, damage or malfunction caused by: improper handling, installation, abuse, misuse, negligence, carelessness of operation or normal wear and tear. In addition, this warranty does not cover equipment when repairs or alterations have been made or attempted without the express written consent of the company. Product repairs not covered by the warranty, and product updates, will be provided at the prevailing rate.

The Company is not responsible for damage caused by accident, negligence, abuse, overloading, misapplication, or misuse of the products. It is solely the purchaser's responsibility to determine the suitability of these products for the particular application. **Limitations:** All other obligations or liabilities, including incidental or consequential damages or contingent liabilities arising out of the failure of any parts to operate properly are hereby excluded, including but not limited to any damages resulting from loss of use, inconvenience, loss of time, commercial loss, or any other type of damages general or specific, foreseen or unforeseen, unless applicable state law provides otherwise.

THIS WARRANTY IS EXCLUSIVE AND IS LIEU OF ALL OTHER WARRANTIES EXPRESSED OR IMPLIED INCLUDING ANY IMPLIED WARRANTY OR MERCHANTABILITY OR ANY IMPLIED WARRANTY OF FITNESS FROM A PARTICULAR PURPOSE, AND ALL SUCH IMPLIED WARRANTIES ARE EXPRESSLY EXCLUDED.

THE REMEDIES DESCRIBED ARE EXCLUSIVE AND IN NO EVENT SHALL THE COMPANY, NOR ANY SALES AGENT OR OTHER COMPANIES AFFILIATED WITH IT OR THEM, BE LIABLE FOR SPECIAL CONSEQUENTIAL OR INCIDENTAL DAMAGES FOR THE BREACH OF OR DELAY IN PERFORMANCE OF THIS WARRANTY. THIS INCLUDES, BUT IS NOT LIMITED TO, LOSS OF PROFIT, RENTAL OR SUBSTITUTE EQUIPMENT OR OTHER COMMERCIAL LOSS.

This warranty shall be governed by the laws of the State of Texas, and shall be subject to the exclusive jurisdiction of the Court in the State of Texas in the County of Tarrant.

RETURNS: Products may not be returned without written approval (Return Material Authorization) from the Company.

Warranty Rev04152008
Direct Outdoor Products, LLC

