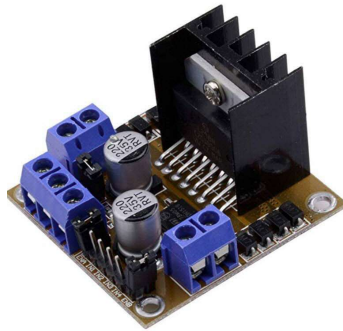
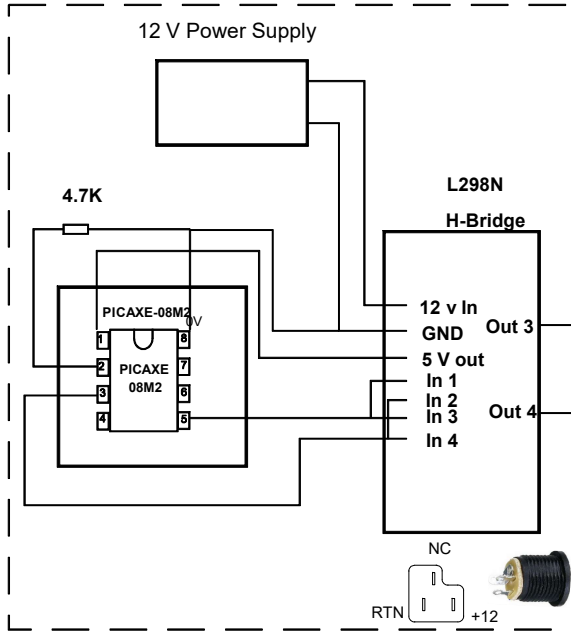
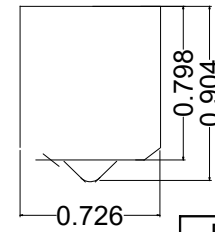


Ammo Box

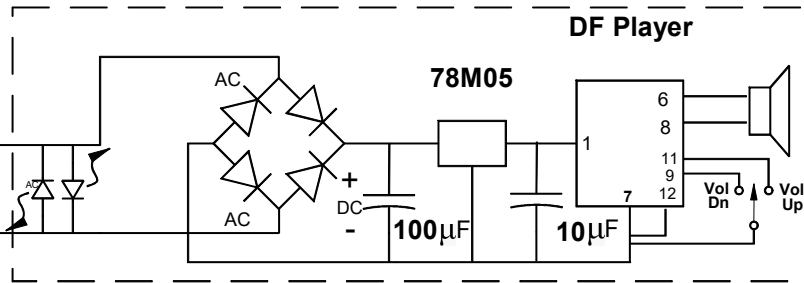


1	VCC	BUSY	16
2	RX	USB -	15
3	TX	USB +	14
4	DAC_R	ADKEY_2	13
5	DAC_L	ADKEY_1	12
6	SPK_1	IO_2	11
7	GND	GND	10
8	SPK_2	IO_1	9

1156 Base



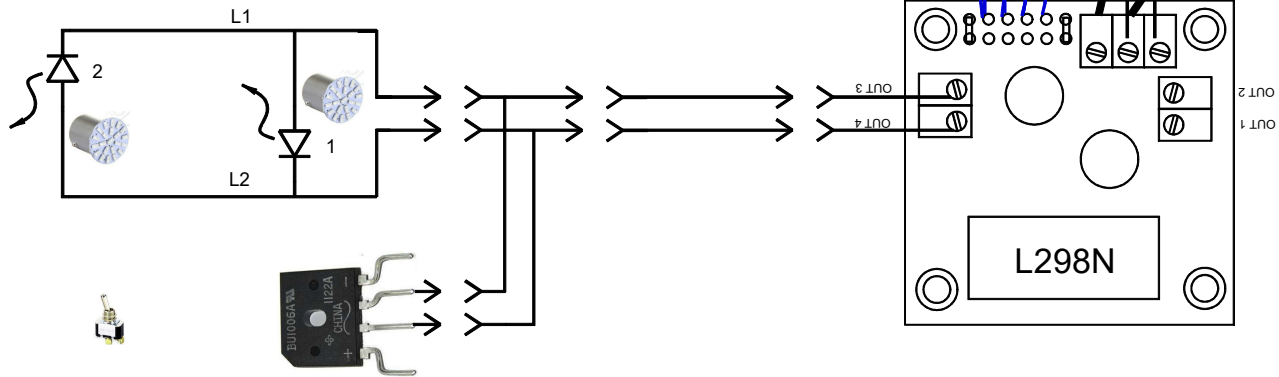
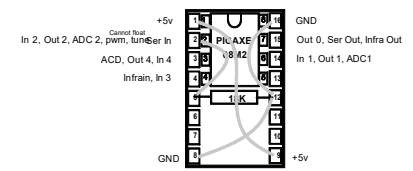
Crossback



Basic Program for PICAXE
 main: high 4
 low 2
 pause 950
 low 4
 high 2
 pause 950
 goto main

16 Pin
 Socket
 Top View

To audio
 To LEDs Bottom View



Sanitize Station
 Wiring Diagram
 16 Pin Header

Flasher-Rev7.2 audio Drawn by: Ted Dunn
 8/23/20 Approved by *A. Stein*