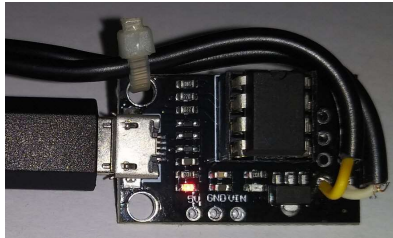
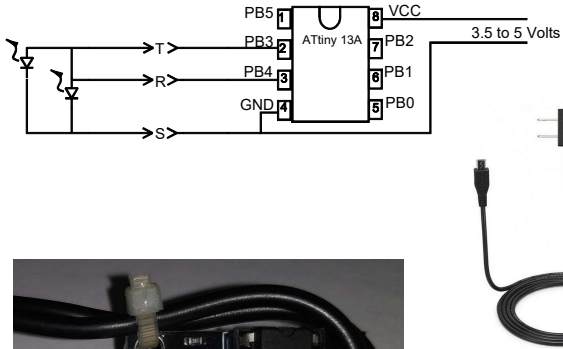


### G-Scale Flasher



```

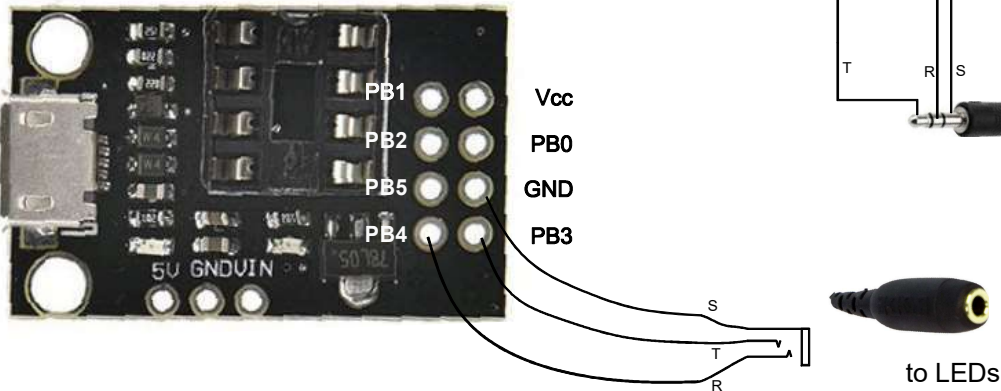
ATtiny 13 A program

void setup() {
  pinMode(4, OUTPUT); // sets the digital pin 13 as output
  pinMode(3, OUTPUT);
}

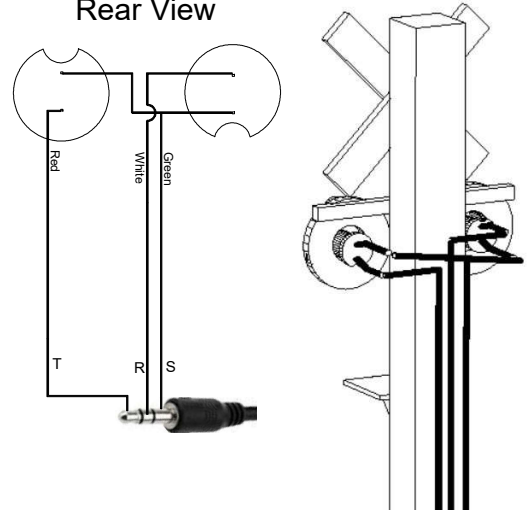
void loop() {
  digitalWrite(3, LOW);
  digitalWrite(4, HIGH); // sets the digital pin 13 on
  delay(1000); // waits for a second
  digitalWrite(4, LOW); // sets the digital pin 13 off
  digitalWrite(3, HIGH);
  delay(1000); // waits for a second
}

```

### ATtiny Programmer



### Rear View



**New Hope Valley Railway**  
 N.H.V. Railroad Museum & East Calquhill Chapter NIBHS

**Sanitize Station Model  
 G-Scsale Flasher**

Flasher-10  
 8/22/20

Drawn by: Ted Dunn  
 Approved by: *[Signature]*