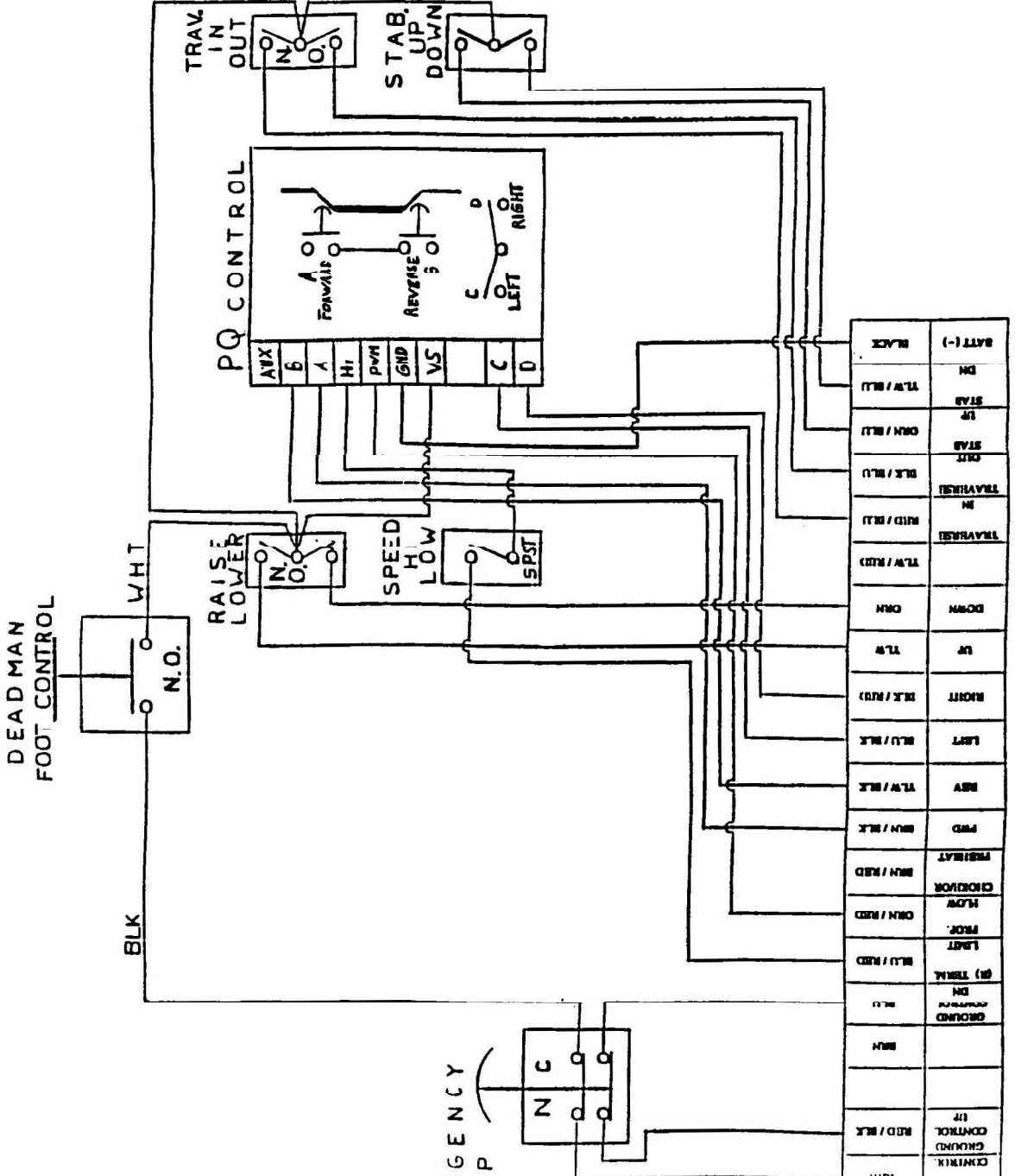


# OPTIONS



<b>SIMON - ARRAN'S INC.</b> MILWAUKEE, WI. 53224		BOX
SCALE:	DRAWN: <i>KS</i>	
DATE: 1-9-92	CHECKED: <i>J.G.</i>	
PROJECTION: THIRD ANGLE	APPROVED:	
TITLE: UPPER CONTROL BOX WIRING DIAGRAM		
ELECTRIC MACHS. N-SERIES: 2515, 2521		
DWG. NO. S852221B30	REV.	

REV	DATE	DESCRIPTION	BY

BATT (-)	BLACK	
DN	BLK / BLU	
STAB UP	GRN / BLU	
STAB DN	BLK / BLU	
TRAVEL IN	RED / BLU	
TRAVEL OUT	BLK / BLU	
TRAVEL IN	RED / BLU	
TRAVEL OUT	BLK / BLU	
UP	BLK / RED	
DOWN	BLK / RED	
LEFT	BLU / BLK	
RIGHT	BLU / BLK	
REV	BLU / BLK	
FWD	BLU / BLK	
REVERSE	BLU / BLK	
CHORDOR	GRN / RED	
FLOW	GRN / RED	
FEED	GRN / RED	
LEFT	BLU / RED	
(R) TERM.	BLU / RED	
DN	BLU	
GROUND	BLU	
CONTROL	RED / BLK	
CONTROL	RED / BLK	
CHITIK	RED	

