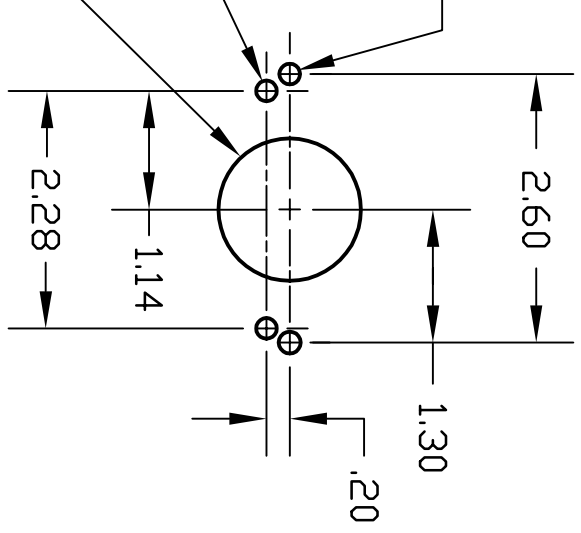
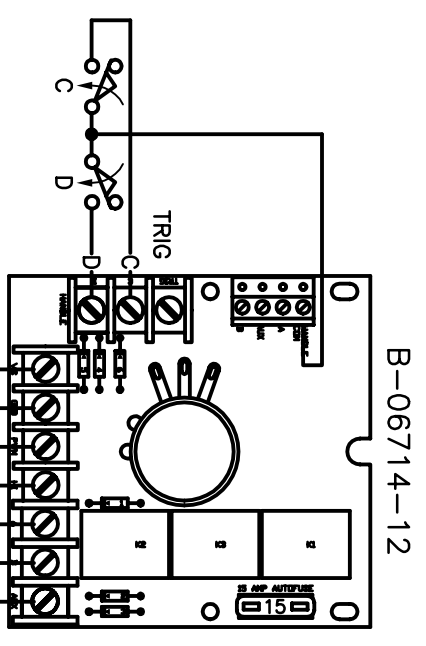
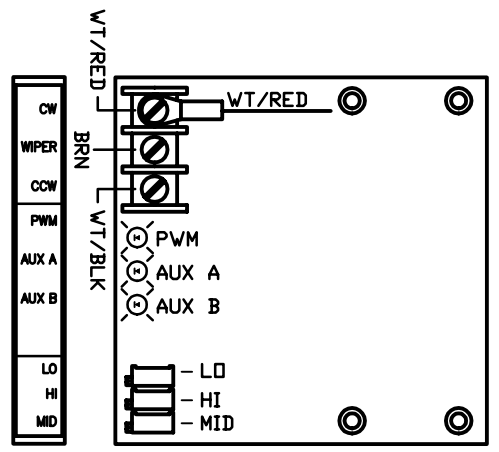


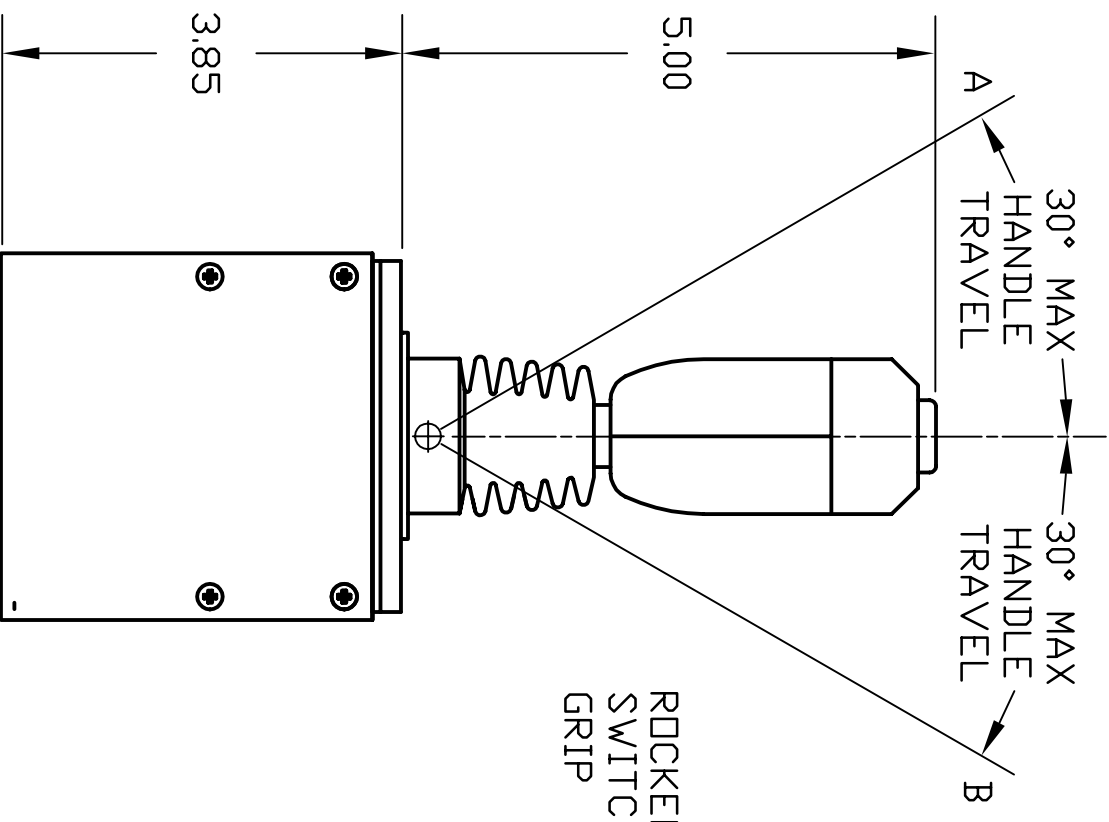
#10-32 UNF-2B THRU
4 PL
1.50 DIA KNOB
MOUNTING HOLE - 2 PL
.21 DIA THRU RECOMMENDED
MOUNTING HOLE - 2 PL
.21 DIA THRU OPTIONAL
1.51 DIA THRU



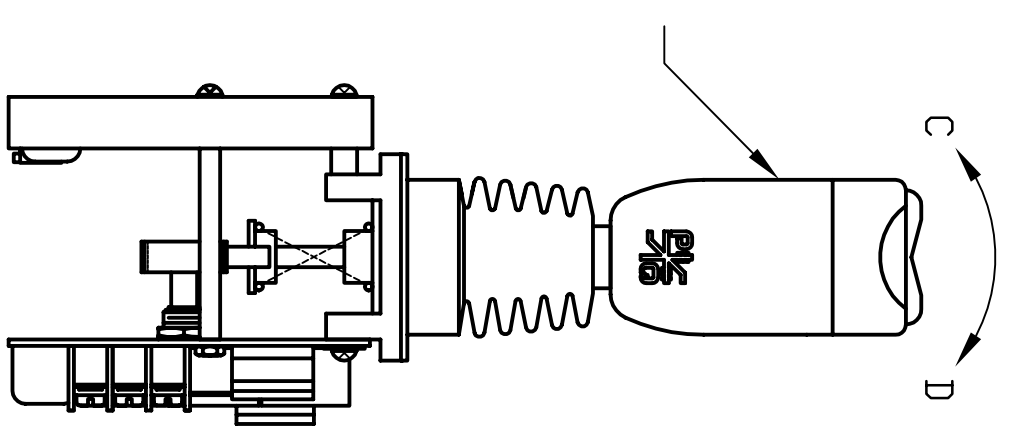
PANEL CUTOUT



FUSE 15A, 32V
A-05665-15

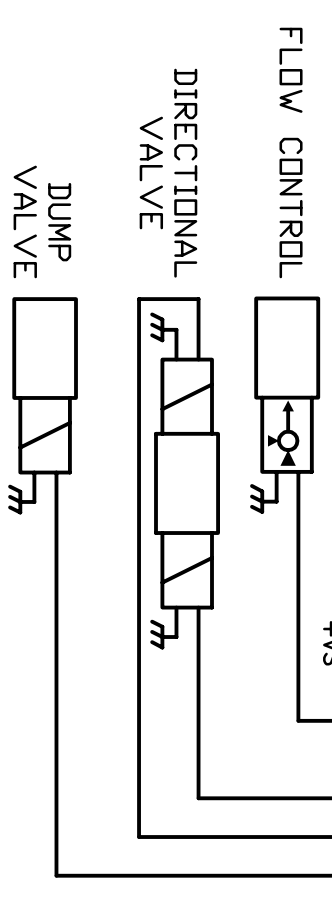


ROCKER SWITCH GRIP



E115-1005 B-06714-12

- NOTES:
- 1) VOLTAGE SUPPLY IS TO BE +12VDC.
 - 2) WITH A 4 OHM VALVE COIL CONNECTED BETWEEN PWM AND GND TERM, THE OUTPUT CURRENT WILL RANGE FROM 355 TO 1635mA DC IN HI RANGE, AND 355 TO 650mA DC IN MID RANGE. PWM FREQUENCY = 125HZ.
 - 3) CONTROL HANDLE IS SPRUNG TO CENTER POSITION.
 - 4) AUX OUTPUTS SWITCH ON V SUPPLY SIMULTANEOUS WITH PROPORTIONAL OUTPUT. CUMULATIVE CURRENT DRAW = 15AMPS FUSED.
 - 5) OUTPUT DEFAULTS TO MID RANGE UNLESS HI ENABLE IS CONNECTED TO V SUPPLY. ADJUST MID TRIMPOT TO SET MAX SPEED IN MID RANGE, HI TRIMPOT TO SET MAX SPEED IN HI RANGE.
 - 6) TURNING TRIMPOT ADJUSTMENT SCREWS CW INCREASES FUNCTION.



WARNING: P-Q Controls, Inc. products are intended as general purpose switches. They are NOT safety devices and as with any general purpose devices, malfunctions may occur. If P-Q products are used to initiate an operation where false operation could be dangerous, POINT-OF-OPERATION GUARDING DEVICES must be installed and maintained to meet all appropriate OSHA and ANSI machine safety standards. P-Q Controls, Inc. shall not accept responsibility for installation, application or safety of systems.

| | | | | | | |
|-----------|--|-------|------------------|---------|----------|-----|
| | P-Q Controls, Inc. 95 Dolphin Rd. Bristol, CT 06010 PHONE: (860) 583-6994 FAX: (860) 583-6011 | | DWG. NO. | B-06440 | REV. | D |
| | M115-1005 INSTALLATION DWG COMPACT CONTROLS | | SHEET | 1 OF 1 | SCALE | 1:2 |
| DRAFTSMAN | JCH | CHECK | PROJECT ENGINEER | DATE | 10-23-90 | |

| REV. | DESCRIPTION | DATE |
|------|-------------------------|----------|
| C | OUTPUT WAS:340-1600mADC | 06-16-92 |
| JCH | MID WAS: 340-650mADC | |
| D | REDRAW B-06714-12 | 02-22-01 |
| RBP | ECR #1319 | |