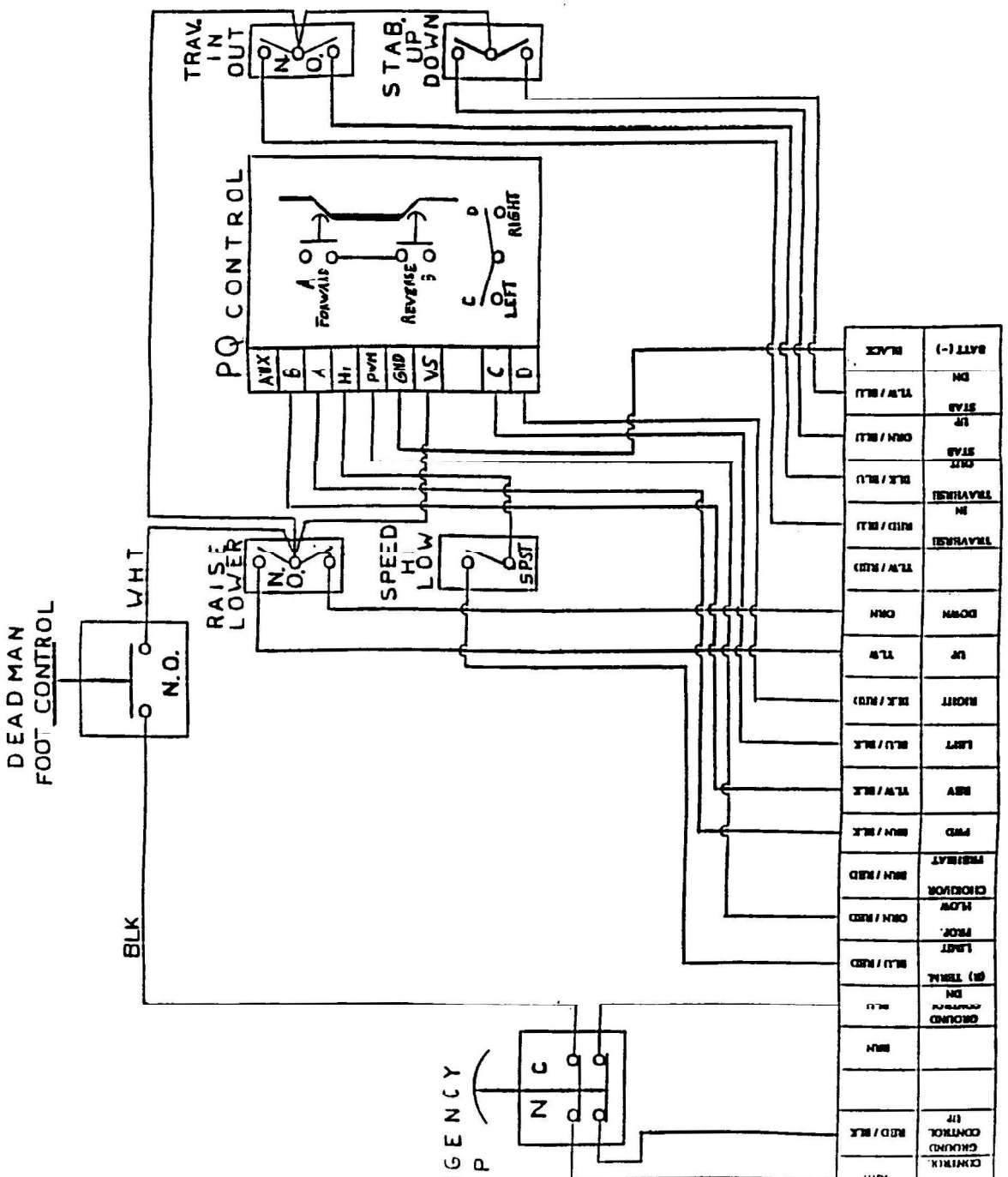


OPTIONS



SIMON - ARRAN'S INC.		BOX
MILWAUKEE, WI. 53224		
SCALE:	DRAWN: <i>KS</i>	
DATE: 1-9-92	CHECKED: <i>J.G.</i>	
PROJECTION: THIRD ANGLE	APPROVED:	
TITLE: UPPER CONTROL BOX		
WIRING DIAGRAM		
ELECTRIC MACHS. N-SERIES: 2515, SST		
DWG. NO.	REV.	
5B52221B30		

REV	DATE	DESCRIPTION	BY
		REVISIONS	